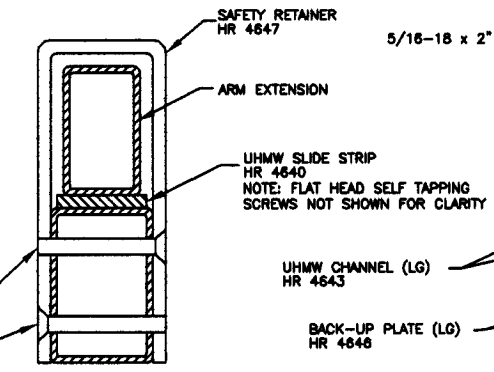
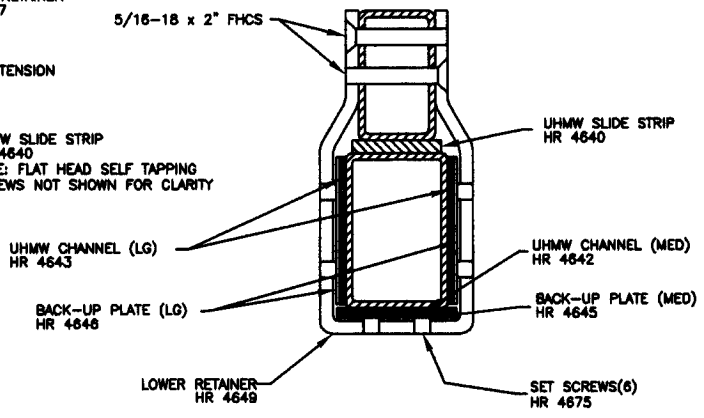


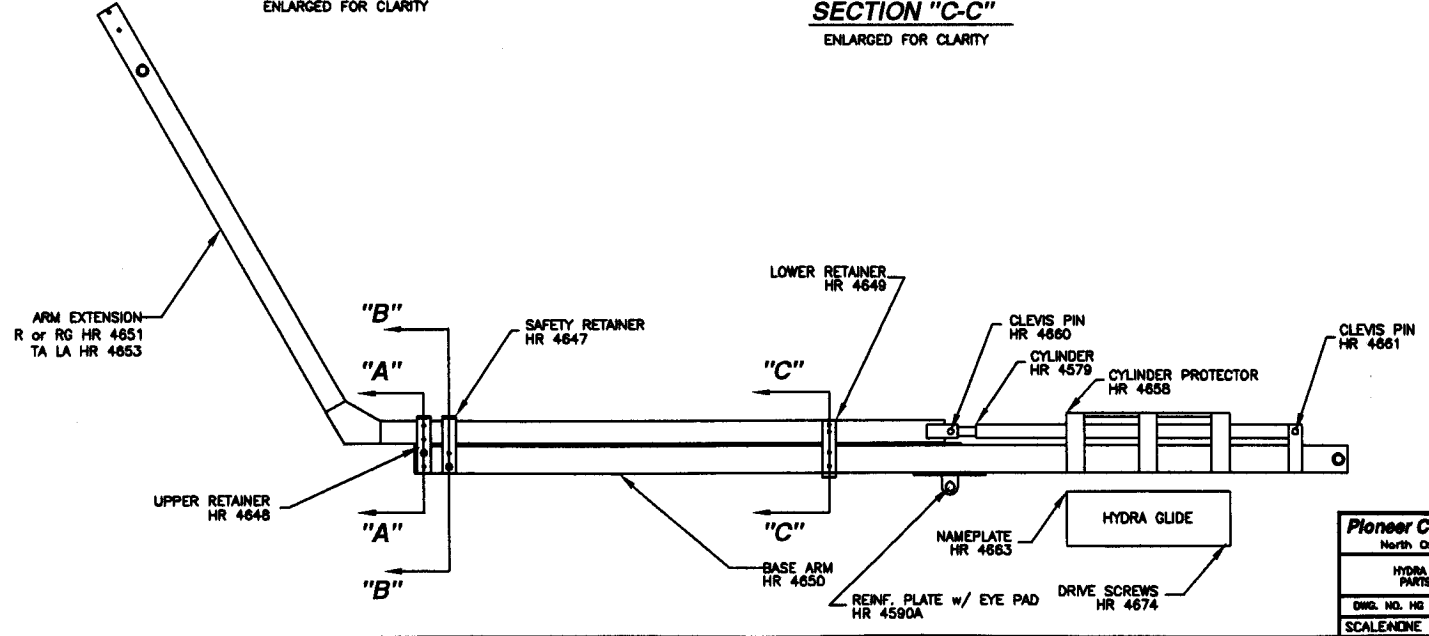
**SECTION "A-A"**  
ENLARGED FOR CLARITY



**SECTION "B-B"**  
ENLARGED FOR CLARITY



**SECTION "C-C"**  
ENLARGED FOR CLARITY



<b>Pioneer Consolidated Corp.</b>	
North Oxford, MA 01537	
HYDRA GLIDE ARM PARTS SCHEMATIC	
DWG. NO. HG SCHEMATIC	
SCALE NONE	DRW. BY: E.M.H. 3-1-88