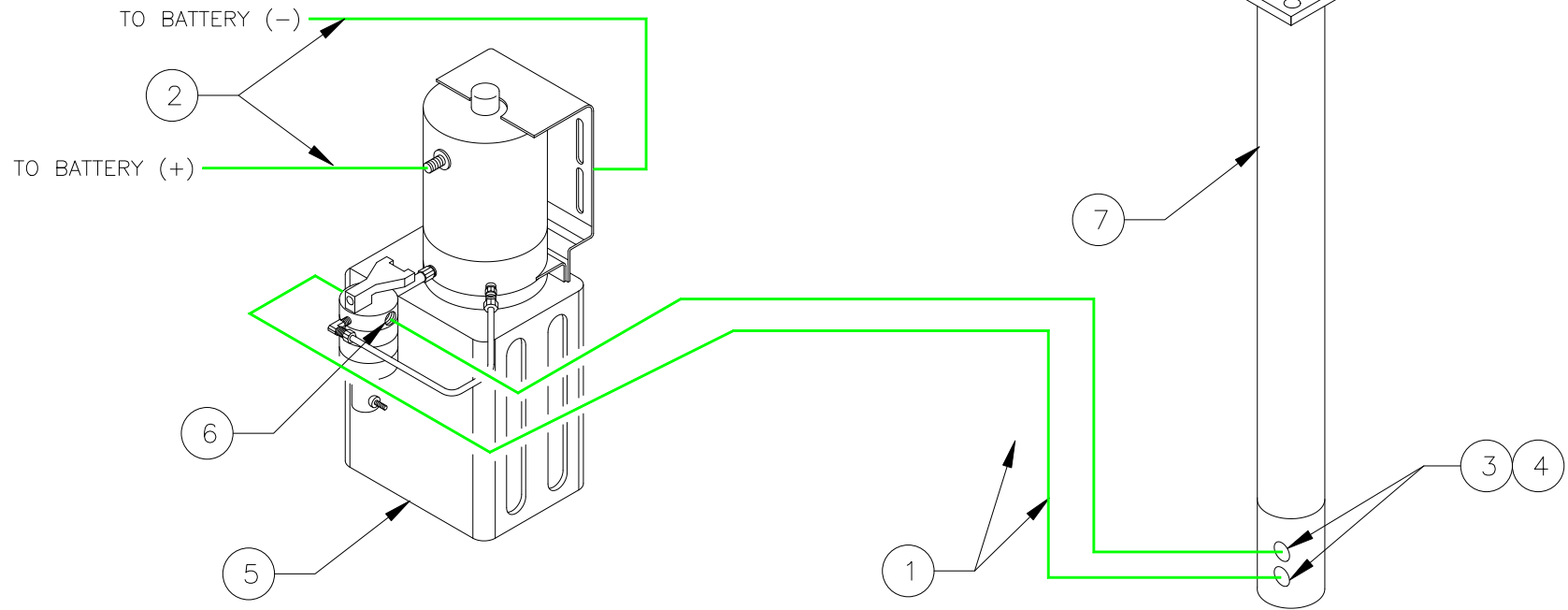


1	H 7043	-4 HOSE 4'	2
2	1AWGWC	#1 AWG WELDING CABLE	16
3	HR4683	-6JICMx-6JICF- ELL	2
4	HR4682	-6SAEMx-6JICM -STR	2
5	HR2038	POWER PACK -12V	1
6	HR4553	1/4 NPT x -6 JIC 90° ELL	2
7	HR2027	CYLINDER 86" D.A.	1

REVISIONS			
REV	DESCRIPTION	DATE	APPROVED
-	-	-	-



Pioneer, A Wastequip Co.
 North Oxford, MA 01537

**HR2000PP HYD.
 SCHEMATIC**

PART NO.	HR2056PP	DATE
SCALE:	NONE	DRW. BY: R.A.T./PD 4/20/07