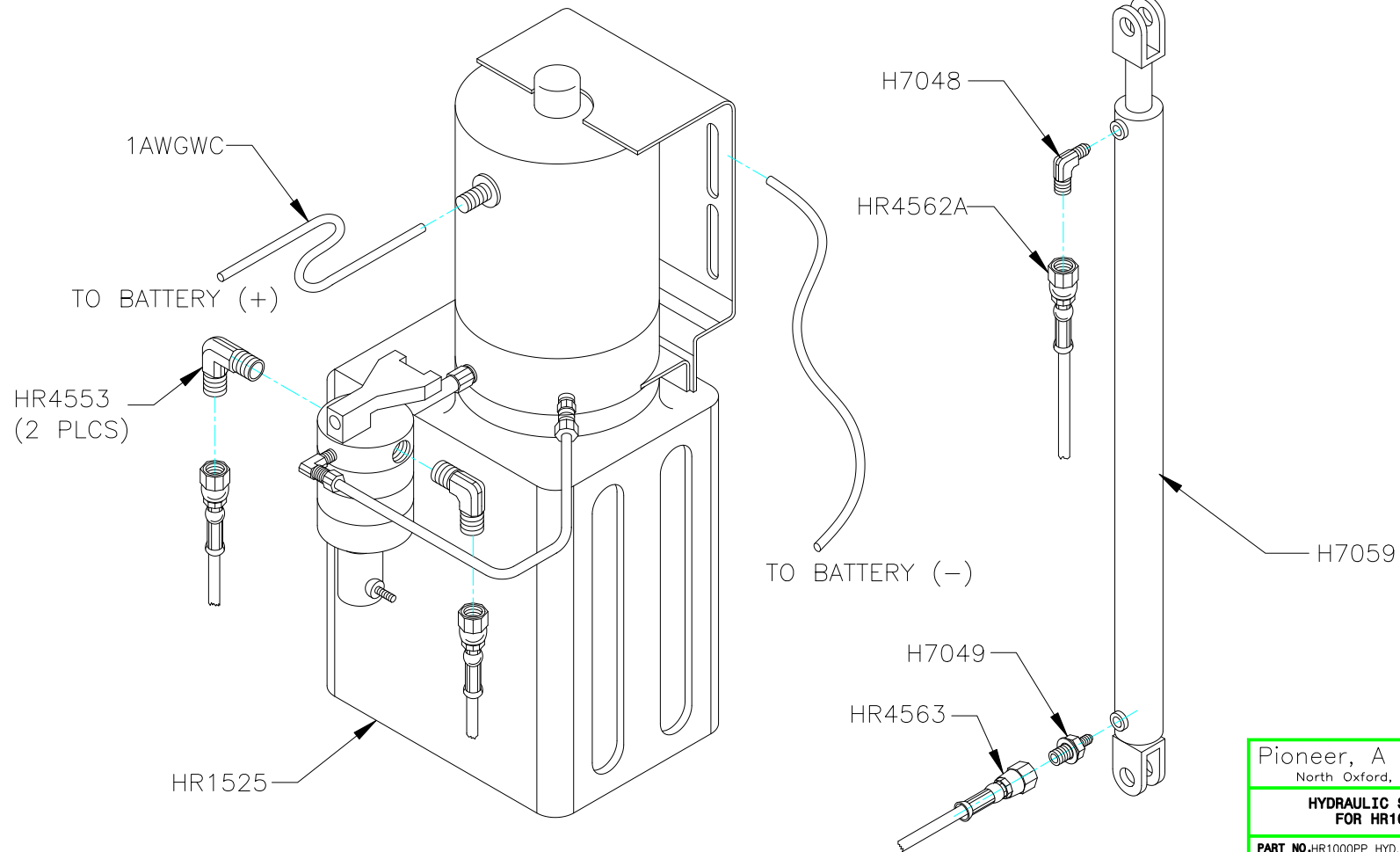


REVISIONS			
REV	DESCRIPTION	DATE	APPROVED
-	-	-	-



Pioneer, A Wastequip Co.  
 North Oxford, MA 01537

**HYDRAULIC SCHEMATIC  
 FOR HR1000 PP**

<b>PART NO.</b> HR1000PP HYD. SCHEMATIC	<b>DATE</b>
<b>SCALE:</b> -	<b>DRW. BY:</b> P.DOAN 4-12-07