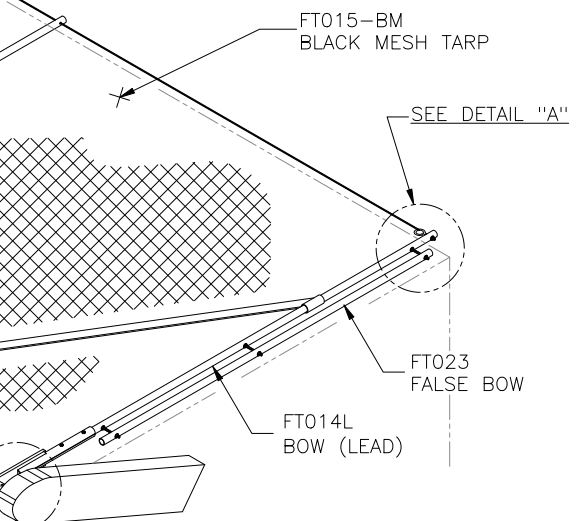
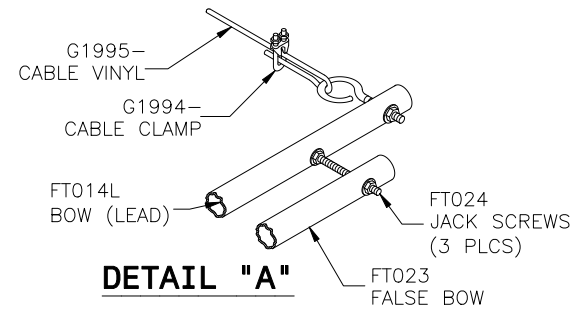


REVISIONS			
REV	DESCRIPTION	DATE	APPROVED
-	-	-	-



---BASIC PART NUMBERS FOR ALL MODELS---

- * SEE TT6000PP HYDRALIC SCHEMATIC FOR COMPONENT PART NUMBER.
- * SEE TT6000PTOE HYDRALIC SCHEMATIC FOR COMPONENT PART NUMBER.
- * SEE TT6000PTOM HYDRALIC SCHEMATIC FOR COMPONENT PART NUMBER.

Pioneer, A Wastequip Co.
 North Oxford, MA 01537

TOP TARPERS SCHEMATIC

PART NO.	TT6000	SCHEMATIC	DATE
SCALE:	NONE	DRW. BY: P.DOAN	5/03/07