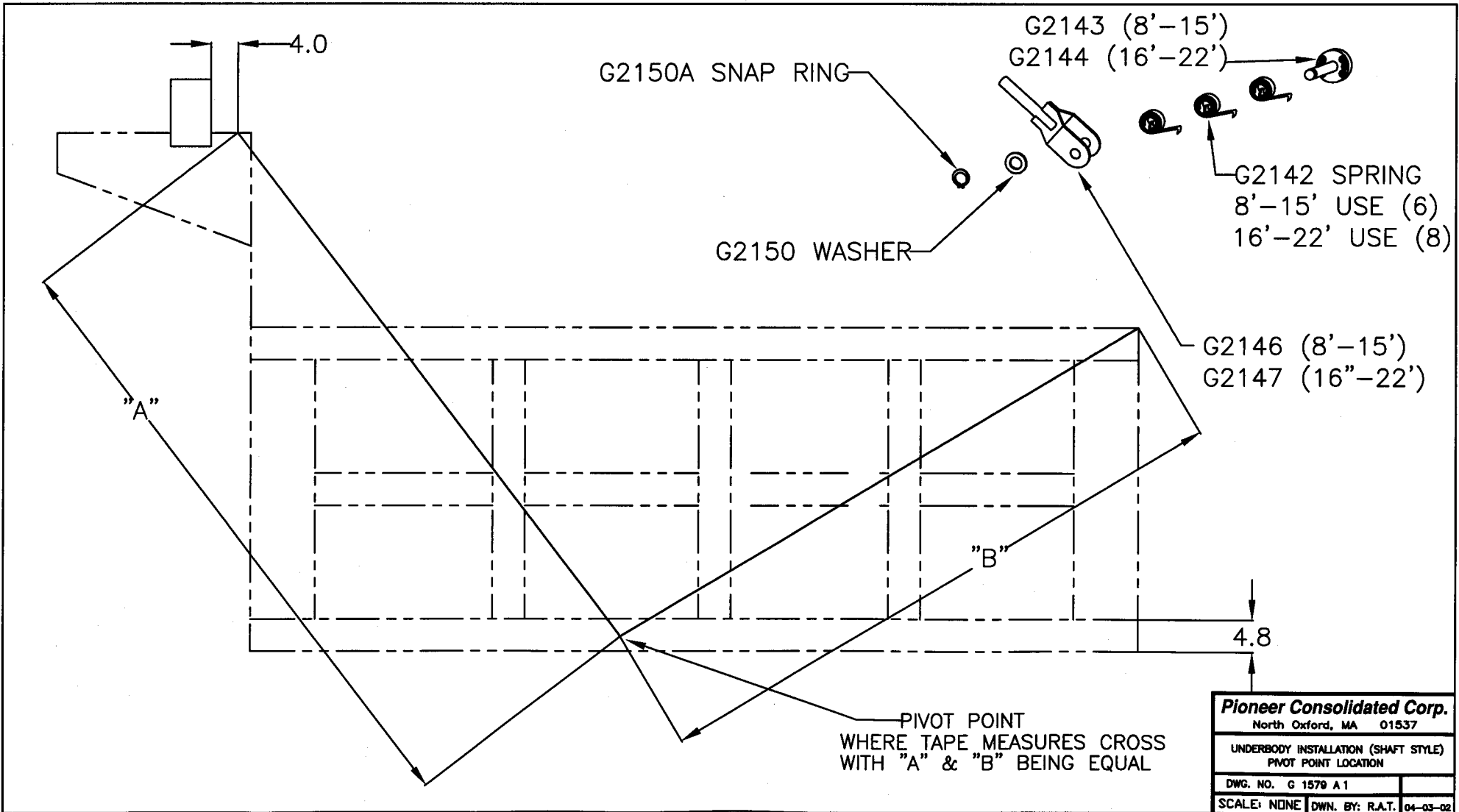


E	RETAINING RING	G 2150A	G 2150A	G 2150A
D	WASHER	G 2150	G 2150	G 2150
C	BASE ARM ASS'Y.	G 2146	G 2147	G2148
B	SPRING	G 2142	G 2142	G 2142
A	BASE MOUNT ASS'Y.	G 2143	G 2144	G 2145
		3 SPRING 8'-15'	4 SPRING 16'-22'	5 SPRING 23'-33'

<b>Pioneer Consolidated Corp.</b>	
North Oxford, MA 01537	
SPIRAL TORSION SPRING - PARTS	
PART NO.	05-25-05
SCALE: NO	DWN. BY:R.A.T.



<b>Pioneer Consolidated Corp.</b>	
North Oxford, MA 01537	
UNDERBODY INSTALLATION (SHAFT STYLE) PIVOT POINT LOCATION	
DWG. NO.	G 1579 A 1
SCALE: NONE	DWN. BY: R.A.T. 04-03-02