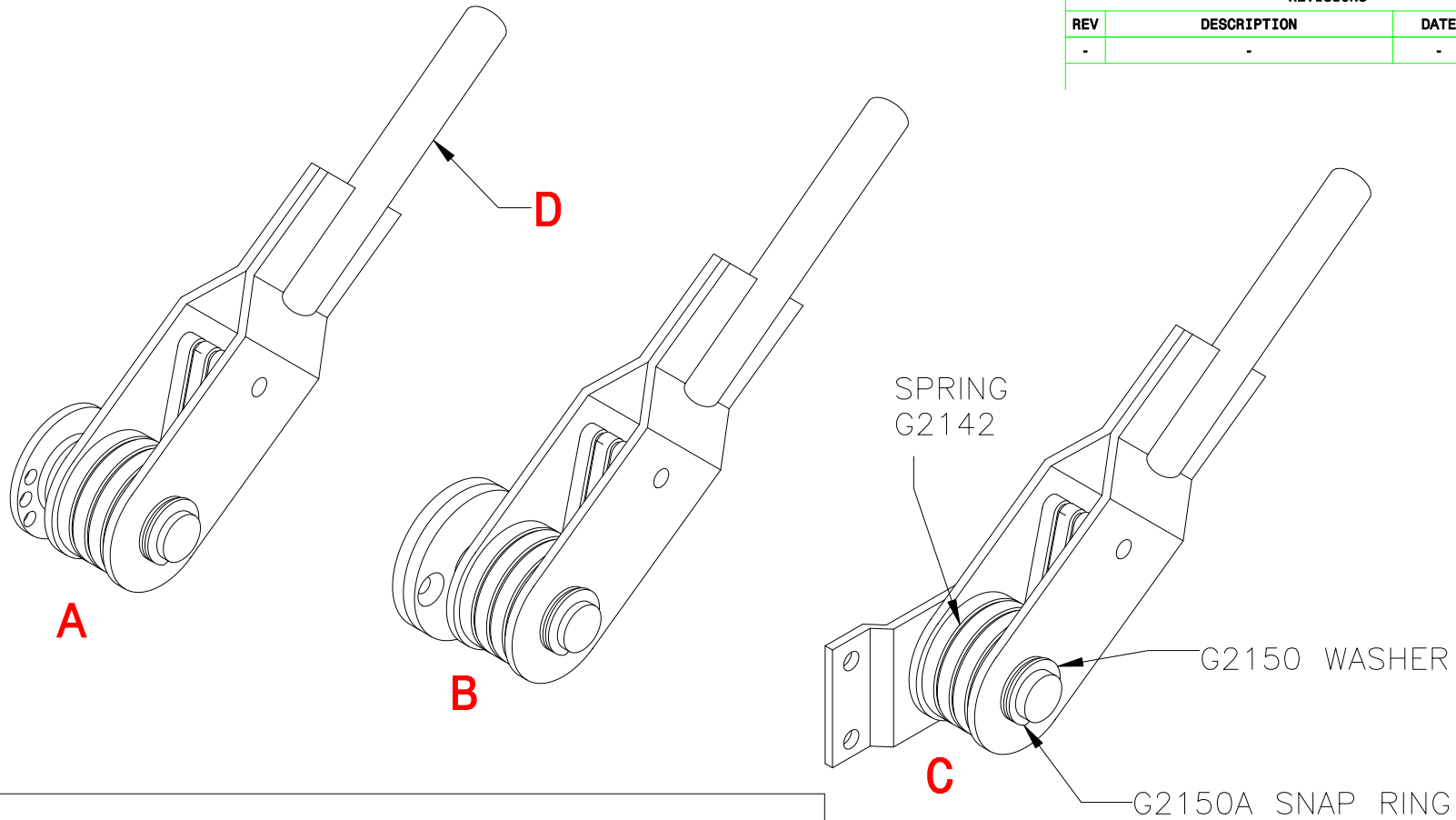


REVISIONS			
REV	DESCRIPTION	DATE	APPROVED
-	-	-	-



SPRING	A	B	C	D
3		G2143-1	G2143-SP	G2146
4		G2144-1	G2144-SP	G2147
5	G2145	G2145-1	G2145-SP	G2148

Pioneer, A Wastequip Co.  
North Oxford, MA 01537

<b>SPIRAL TORSION SPRING</b>		
<b>PART NO.</b>	SPIRAL TORSION SPRING	<b>DATE</b>
<b>SCALE:</b>	NONE	<b>DRW. BY:</b> P.DOAN 5/03/07