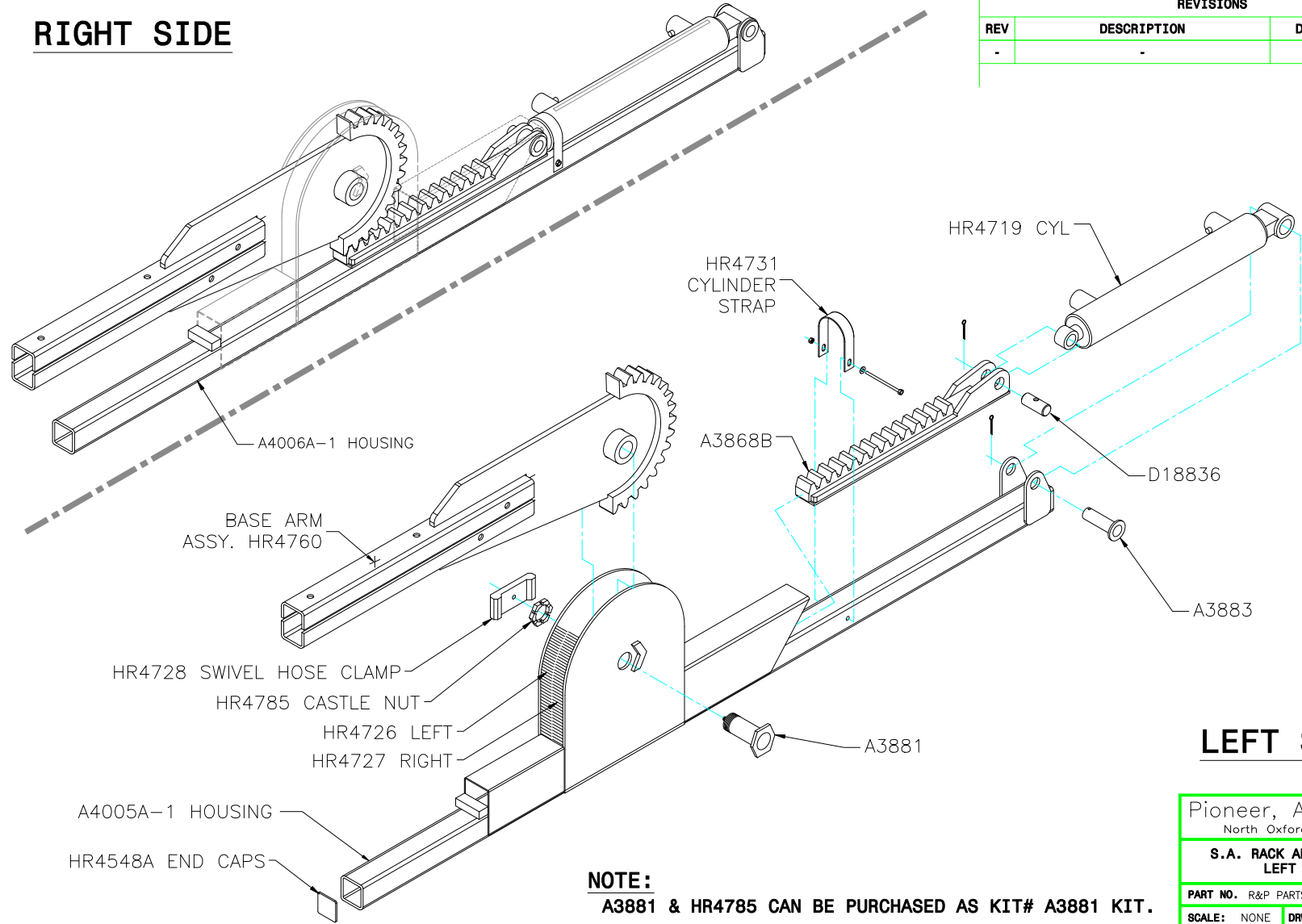


RIGHT SIDE

REVISIONS				D
REV	DESCRIPTION	DATE	APPROVED	
-	-	-	-	



NOTE:
A3881 & HR4785 CAN BE PURCHASED AS KIT# A3881 KIT.

LEFT SIDE

Pioneer, A Wastequip Co.
 North Oxford, MA 01537

**S.A. RACK AND PINON ASSY.
 LEFT & RIGHT**

PART NO.	R&P PARTS DETAIL	DATE
SCALE: NONE	DRW. BY: P.DOAN	4/23/07