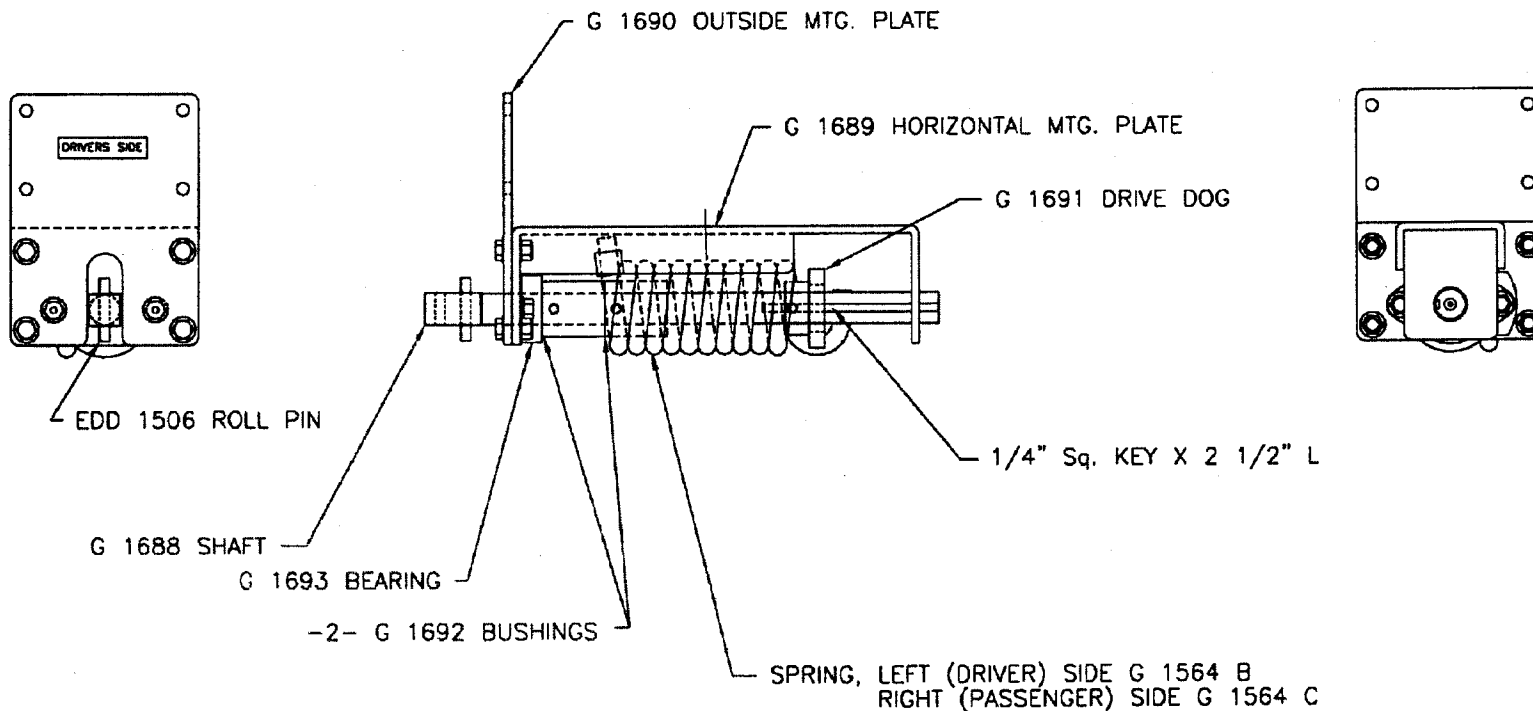


NOTE: G1576B ARM PLATE NOT SHOWN FOR CLARITY



NOTE: LEFT (DRIVERS) SIDE ASSEMBLY (G 1698) SHOWN
 RIGHT (PASSENGERS) SIDE ASSEMBLY (G 1699) OPPOSITE

Pioneer Consolidated Corp.	
North Oxford, MA	01537
UNDERBODY, CANTILEVERED SHAFT STYLE	
5/8 WIRE, 23-33 UNITS	
PART NO. G 1698, G 1699	
SCALE: FULL	DWN. BY: ENH 4-5-99

UNDERBODY SHAFT 20-33'