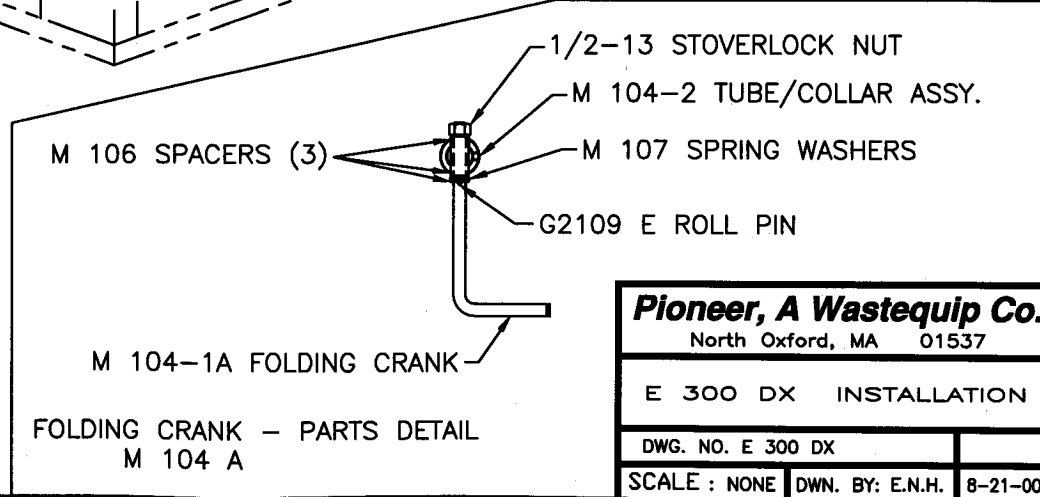
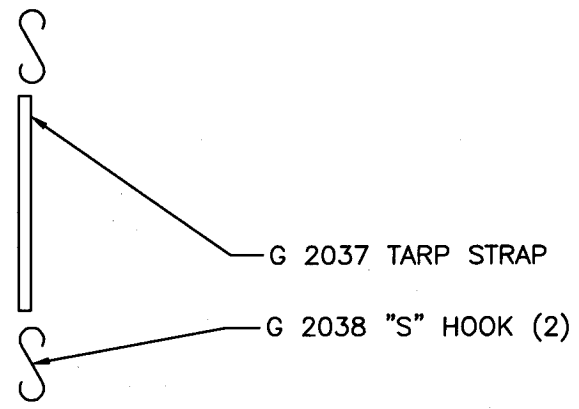


- TARP
- G 503 WASHERS (2)
- G 508 ROLLERS (2 pcs.)
- PULL ROPE (M116A)
 - 8/11 - 30'
 - 12/15 - 34'
 - 16/19 - 38'



Pioneer, A Wastequip Co.	
North Oxford, MA 01537	
E 300 DX INSTALLATION	
DWG. NO. E 300 DX	
SCALE : NONE	DWN. BY: E.N.H. 8-21-00

FOLDING CRANK - PARTS DETAIL
M 104 A