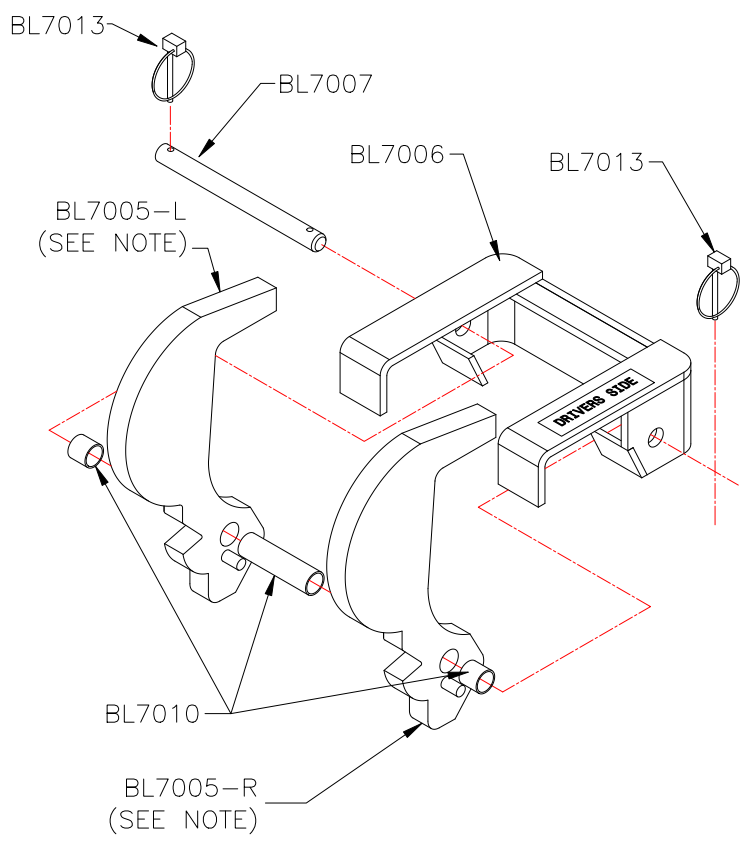
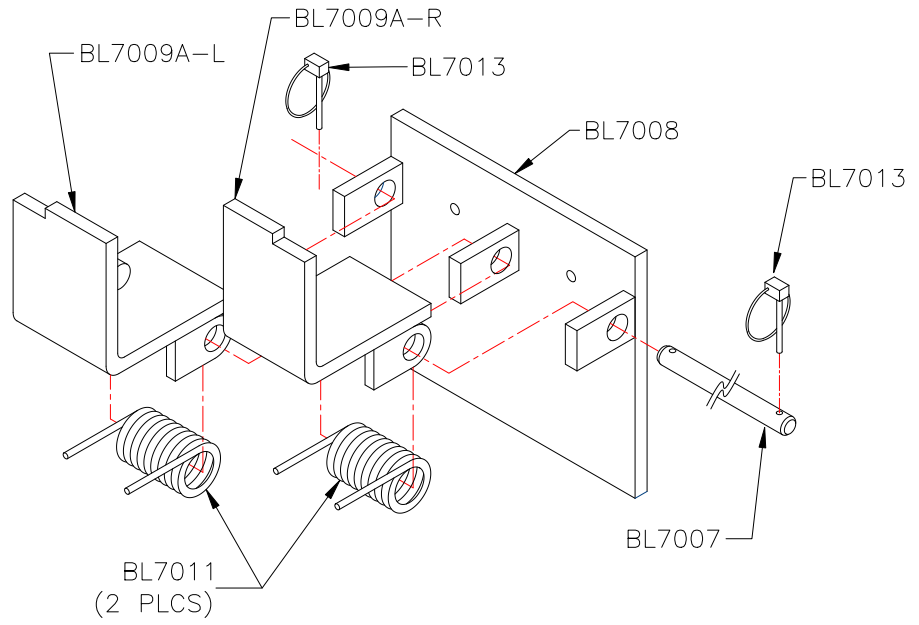


REVISIONS			
REV	DESCRIPTION	DATE	APPROVED
-	-	-	-



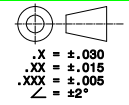
BL7002
LOCK ASSY.



BL7003
STRIKER ASSY.

NOTE:
STOP PINS FACE OUT.

THIS DRAWING IS CONFIDENTIAL AND SUPPLIED BY PIONEER COVER-ALL. REPRODUCTION, DISTRIBUTION OR USE BEYOND ITS ORIGINAL INTENT IS PROHIBITED, WITHOUT PRIOR WRITTEN CONSENT OF PIONEER COVER-ALL.



UNLESS OTHERWISE SPECIFY

Pioneer, A Wastequip Co.
North Oxford, MA 01537

LOCK BOX COMPONENTS ASSY.

PART NO.	BL7000	DATE	
SCALE:	NONE	DRW. BY:	P.DONAN 02/16/07